

Universal Emergency Module for LED Batten Luminaires

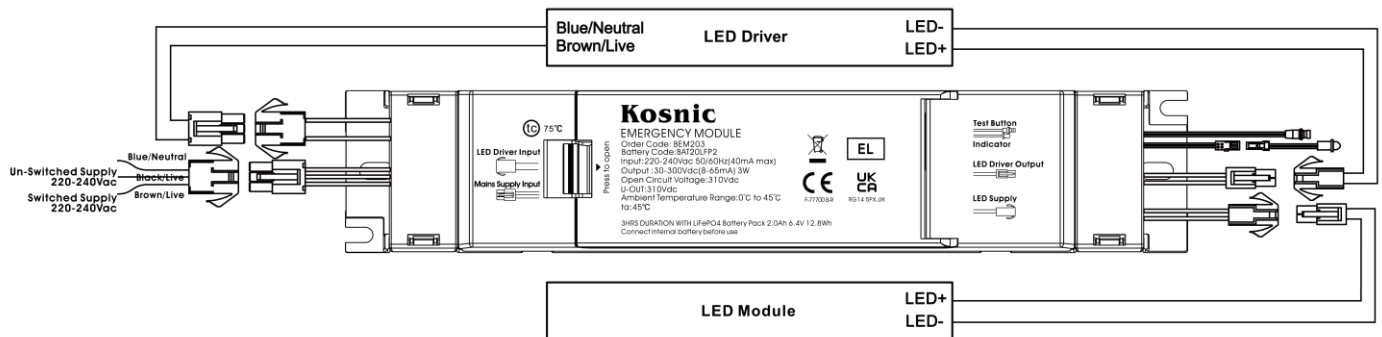
Please read these instructions thoroughly before use and retain for future reference.

The emergency module is only suitable for use in Kosnic LED batten luminaires where specified on the batten datasheet.

Safety Information

- Installation must be carried out in accordance with national building and wiring regulations.
- If you are in any doubt about installing this product, please consult a qualified electrician.
- Before commencing installation or maintenance, turn off and isolate the circuit to be worked on by removing the fuse or switching the circuit breaker off at the distribution board.
- This product is suitable for connection to a 220-240Vac 50/60Hz supply.
- This product is an **IP20 built-in** driver relying on the enclosure for protection.
- Do not use the emergency module if the cable is damaged.
- The emergency module is not suitable for use on a battery supply with a trickle or intermittent re-charging circuit.
- The emergency module is not protected against supply voltage polarity reversal.
- Insulation between the emergency module supply and battery circuit is double insulation.
- The recharging device will recharge the battery normally after removal of a battery short-circuit
- When cutting holes, drilling or screwing take care not to damage existing wiring or pipework.

Wiring Schematic



General Installation Information

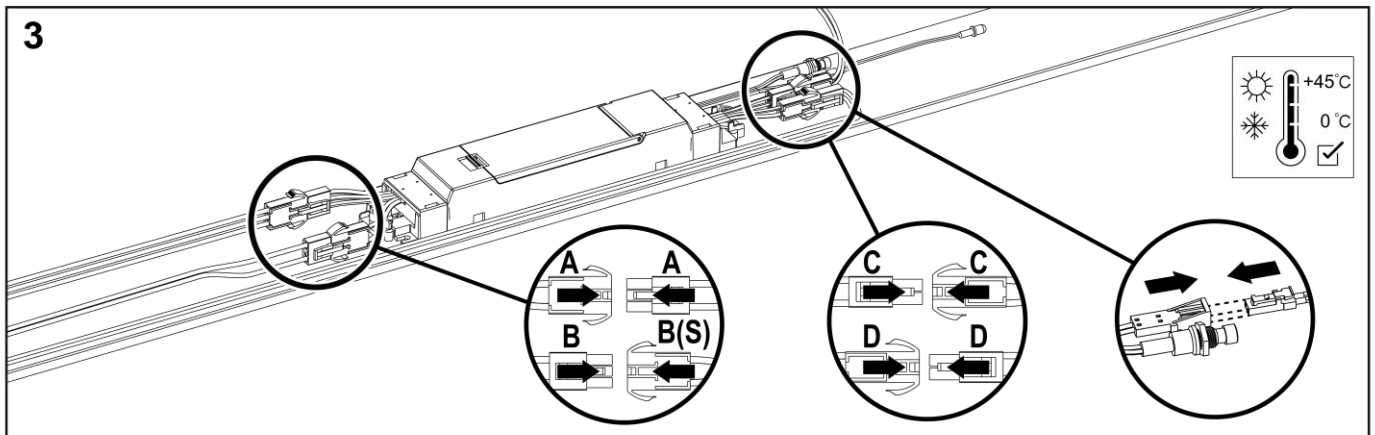
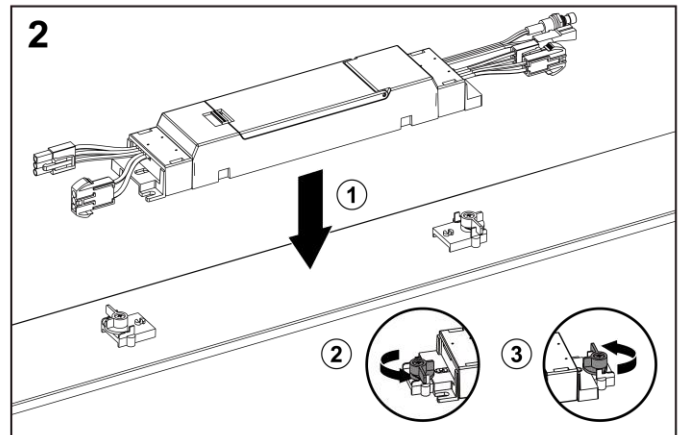
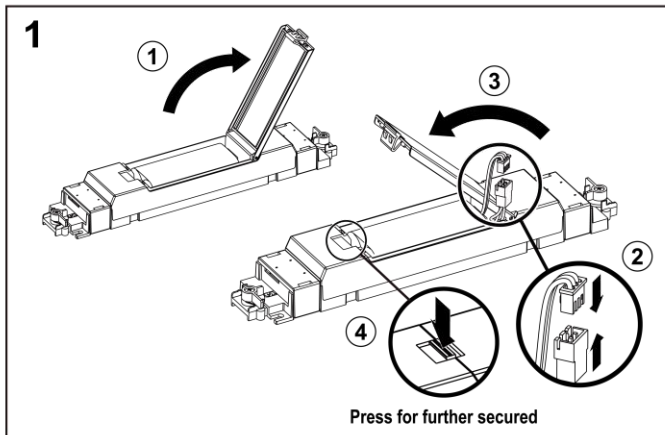
- Follow the batten instructions to access the correct installation area inside the batten.
- The diagram below shows a typical installation. Specific details may vary from one compatible batten model to another.
- The optional emergency module provides power in the event of a cut in the supply and must be wired to the un-switched permanent supply through the un-switched Live terminal (L1).
- Write the commissioning date on the battery label.
- Stick the Maintained or Non-Maintained emergency luminaire label on the luminaire where it can be seen.
- Ensure that all electrical connections are tight with no loose strands.
- Reconnect the supply.
- The battery leaves the factory in a charged state but may take up to 24 hours to fully charge for a 3-hour test. Charge for 5 minutes before performing a functional test to ensure there is some charge in the battery.
- To fully test the emergency function, the un-switched supply will need to be switched off. A quick functional test can be performed by pressing the test button.
- Replace the battery when the luminaire fails to meet the 3-hour duration requirement in testing.

Specifications

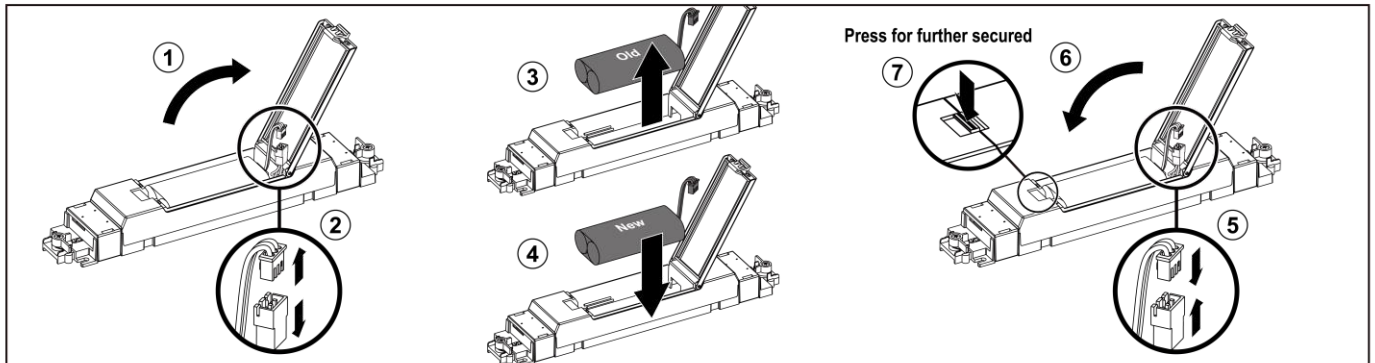
Order Code	BEM203
Input Voltage	220-240 Vac 50/60 Hz
Input Current	40 mA
Battery Output Wattage (max)	3W
Output Voltage	30-300 Vdc
Output Current	8-65 mA
Open Circuit Voltage	310 Vdc
Maximum Working Voltage	310 Vdc
Protection	IP20, For built-in installation
Input to Output Protection	Double Insulation
Battery	LiFePO4 BAT20LFP2
Battery Voltage	6.4 V
Battery Capacity	2000 mAh
Battery Charge Voltage	8.0 Vdc
Battery Charge Current	30-250 mA

Battery Discharge Voltage	5.8-8.0 Vdc
Battery Discharge Current	400-500 mA
Charging Time	24 h
Battery Life	4 Years
Emergency Conversion Time	1 s
Emergency Operation Time	>3 h
Test Function	Manual
Length x Width x Depth	220 x 42 x 28mm
Weight	230 g
Maximum Case Temperature	75 °C
Ambient Temperature Range	0 to 45 °C

Typical Installation Diagram



Battery Replacement / Remplacement de la batterie / Sostituzione della batteria



The Waste Electrical & Electronic Equipment Regulations (WEEE) requires that products bearing this symbol must not be disposed of with household waste as they may contain substances harmful to the environment. The Local Authority can provide advice on recycling.